

INSTRUCTIVO DE OPERACIÓN, CENTROS DE SERVICIO Y PÓLIZA DE GARANTÍA. ADVERTENCIA: LEASE ESTE INSTRUCTIVO ANTES DE USAR EL PRODUCTO.

INSTRUCTION MANUAL  
GUIDE D'UTILISATION  
MANUAL DE INSTRUCCIONES



DW292, DW293 1/2" Impact Wrench  
DW294 3/4" Impact Wrench  
Clé à choc DW292, DW293 13 mm (1/2 po) et  
DW294 19 mm (3/4 po)  
DW292, DW293 Llave de impacto de 13 mm (1/2 pulg.)  
DW294 Llave de impacto de 19 mm (3/4 pulg.)

DEWALT Industrial Tool Co., 701 East Joppa Road, Baltimore, MD 21286  
(OCT04-CD-1) Form No. 628232-00 DW292, DW293, DW294 Copyright © 2004 DEWALT

The following are trademarks for one or more DEWALT power tools: the yellow and black color scheme; the "D" shaped air intake grill; the array of pyramids on the handgrip; the kit box configuration; and the array of lozenge-shaped humps on the surface of the tool.

IF YOU HAVE ANY QUESTIONS OR COMMENTS ABOUT THIS OR ANY DEWALT TOOL, CALL US TOLL FREE AT: 1-800-4-DEWALT (1-800-433-9258)

### General Safety Rules

**WARNING!** Read all instructions. Failure to follow all instructions listed below may result in electric shock, fire and/or serious injury. The term "power tool" in all of the warnings listed below refers to your mains-operated (corded) power tool or battery-operated (cordless) power tool.

### SAVE THESE INSTRUCTIONS

#### 1) WORK AREA SAFETY

- Keep work area clean and well lit. Cluttered or dark areas invite accidents.
- Do not operate power tools in explosive atmospheres, such as in the presence of flammable liquids, gases or dust. Power tools create sparks which may ignite the dust or fumes.
- Keep children and bystanders away while operating a power tool. Distractions can cause you to lose control.

#### 2) ELECTRICAL SAFETY

- Power tool plugs must match the outlet. Never modify the plug in any way. Do not use any adapter plugs with earthed (grounded) power tools. Unmodified plugs and matching outlets will reduce risk of electric shock.
- Avoid body contact with earthed or grounded surfaces such as pipes, radiators, ranges and refrigerators. There is an increased risk of electric shock if your body is earthed or grounded.
- Do not expose power tools to rain or wet conditions. Water entering a power tool will increase the risk of electric shock.
- Do not abuse the cord. Never use the cord for carrying, pulling or unplugging the power tool. Keep cord away from heat, oil, sharp edges or moving parts. Damaged or entangled cords increase the risk of electric shock. Replace or repair damaged cords. Make sure your extension cord is in good condition. Use only 3-wire extension cords that have 3-prong grounding-type plugs and 3-pole receptacles that accept the tool's plug.
- When operating a power tool outdoors, use an extension cord suitable for outdoor use. Use of a cord suitable for outdoor use reduces the risk of electric shock. When using an extension cord, be sure to use one heavy enough to carry the current your product will draw. An undersized cord will cause a drop in line voltage resulting in loss of power and overheating. The following table shows the correct size to use depending on cord length and nameplate ampere rating. If in doubt, use the next heavier gage. The smaller the gage number, the heavier the cord.

Volts	Total Length of Cord in Feet	Minimum Gage for Cord Sets			
		0-25	26-50	51-100	101-150
120V	0-25	26-50	51-100	101-150	
240V	0-50	51-100	101-200	201-300	
Ampere Rating		AWG			
More Than	Not more Than				
6	10	18	16	14	12

#### 3) PERSONAL SAFETY

- Stay alert, watch what you are doing and use common sense when operating a power tool. Do not use a power tool while you are tired or under the influence of drugs, alcohol or medication. A moment of inattention while operating power tools may result in serious personal injury.
- Use safety equipment. Always wear eye protection. Safety equipment such as dust mask, non-skid safety shoes, hard hat, or hearing protection used for appropriate conditions will reduce personal injuries.
- Avoid accidental starting. Ensure the switch is in the off-position before plugging in. Carrying power tools with your finger on the switch or plugging in power tools that have the switch on invites accidents.

- Remove any adjusting key or wrench before turning the power tool on. A wrench or a key left attached to a rotating part of the power tool may result in personal injury.
- Do not overreach. Keep proper footing and balance at all times. This enables better control of the power tool in unexpected situations.
- Dress properly. Do not wear loose clothing or jewellery. Keep your hair, clothing and gloves away from moving parts. Loose clothes, jewellery or long hair can be caught in moving parts. Air vents often cover moving parts and should also be avoided.
- If devices are provided for the connection of dust extraction and collection facilities, ensure these are connected and properly used. Use of these devices can reduce dust-related hazards.

#### 4) POWER TOOL USE AND CARE

- Do not force the power tool. Use the correct power tool for your application. The correct power tool will do the job better and safer at the rate for which it was designed.
- Do not use the power tool if the switch does not turn it on and off. Any power tool that cannot be controlled with the switch is dangerous and must be repaired.
- Disconnect the plug from the power source and/or the battery pack from the power tool before making any adjustments, changing accessories, or storing power tools. Such preventive safety measures reduce the risk of starting the power tool accidentally.
- Store idle power tools out of the reach of children and do not allow persons unfamiliar with the power tool or these instructions to operate the power tool. Power tools are dangerous in the hands of untrained users.
- Maintain power tools. Check for misalignment or binding of moving parts, breakage of parts and any other condition that may affect the power tools operation. If damaged, have the power tool repaired before use. Many accidents are caused by poorly maintained power tools.
- Keep cutting tools sharp and clean. Properly maintained cutting tools with sharp cutting edges are less likely to bind and are easier to control.
- Use the power tool, accessories and tool bits etc., in accordance with these instructions and in the manner intended for the particular type of power tool, taking into account the working conditions and the work to be performed. Use of the power tool for operations different from those intended could result in a hazardous situation.

#### 5) SERVICE

- Have your power tool serviced by a qualified repair person using only identical replacement parts. This will ensure that the safety of the power tool is maintained.

### Additional Specific Safety Instructions

- Hold tool by insulated gripping surfaces when performing an operation where the cutting tool may contact hidden wiring. Contact with a "live" wire will make exposed metal parts of the tool "live" and shock the operator.
- Wear ANSI Z.87.1 safety goggles or other eye protection. Hammering and drilling operations cause chips to fly. Flying particles can cause permanent eye damage.
- Bits, sockets and tools get hot during operation. Wear gloves when touching them.
- Do not operate this tool for long periods of time. Vibration caused by tool action may be harmful to your hands and arms. Use gloves to provide extra cushion and limit exposure by taking frequent rest periods.

**CAUTION:** Wear appropriate hearing protection during use. Under some conditions and duration of use, noise from this product may contribute to hearing loss.

**WARNING:** Some dust created by power sanding, sawing, grinding, drilling, and other construction activities contains chemicals known to cause cancer, birth defects or other reproductive harm. Some examples of these chemicals are:

- lead from lead-based paints,
- crystalline silica from bricks and cement and other masonry products, and
- arsenic and chromium from chemically-treated lumber (CCA).

Your risk from these exposures varies, depending on how often you do this type of work. To reduce your exposure to these chemicals: work in a well ventilated area, and work with approved safety equipment, such as those dust masks that are specially designed to filter out microscopic particles.

- Avoid prolonged contact with dust from power sanding, sawing, grinding, drilling, and other construction activities. Wear protective clothing and wash exposed areas with soap and water. Allowing dust to get into your mouth, eyes, or lay on the skin may promote absorption of harmful chemicals.

**WARNING:** Use of this tool can generate and/or disburse dust, which may cause serious and permanent respiratory or other injury. Always use NIOSH/OSHA approved respiratory protection appropriate for the dust exposure. Direct particles away from face and body.

- The label on your tool may include the following symbols. The symbols and their definitions are as follows:

V.....volts	A .....amperes
Hz.....hertz	W .....watts
min .....minutes	~ .....alternating current
==== .....direct current	n0.....no load speed
□ .....Class II Construction	.../min .....revolutions per minute
⊕ .....earthing terminal	BPM.....beats per minute
▲ .....safety alert symbol	

### COMPONENTS (Fig. 1)

- Switch
- Anvil

### Motor

Your DEWALT tool is powered by a DEWALT built motor. Be sure your power supply agrees with the nameplate marking.

Volts 50/60 Hz or "AC only" means your tool must be operated on alternating current and never with direct current.

Voltage decrease of more than 10% will cause loss of power and overheating. DEWALT tools are factory tested; if this tool does not operate, check power supply.

### Motor Brushes

This DEWALT tool uses an advanced brush system which automatically stops the tool when the brushes wear out. This prevents serious damage to the motor.

### Switch

Pressing the BOTTOM part of the switch (A) runs the tool in forward (right-hand thread) direction. Pressing the TOP of the switch reverses motor direction. This allows "rocking" fasteners to break them loose.

### Anvil with Detent Pin

To install a socket on the anvil (B), align the hole in the side of the socket with the detent pin on the anvil. Press the socket on until the detent pin engages in the hole. To remove a socket, depress the detent pin through the hole, using a small, pointed object, and pull the socket off.

### Impact Time

Many variables exist that will cause the torque available on any fastener to vary considerably.

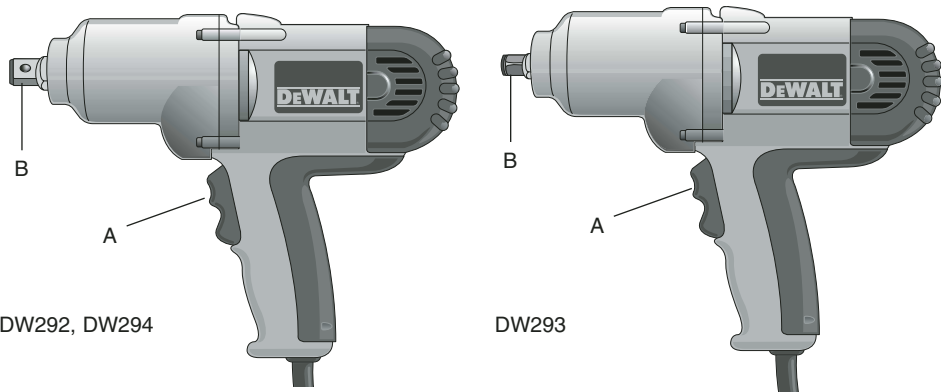
### Usage

Your impact tool generates the following output torque:

Cat #	Ft.-Lbs.
DW292	325
DW293	325
DW294	325

**CAUTION:** Ensure fastener and/or system will withstand the level of torque generated by the tool. Excessive torque may cause breakage and possible personal injury.

- Place the socket on the fastener head. Keep the tool pointed straight at the fastener.
- Press rocker switch to start operation. Always check torque with a torque wrench, as the fastening torque is affected by many factors including the following:
  - Voltage:** Low voltage, due to generator or long extension cord, will reduce fastening torque.



DW292, DW294

DW293

- **Socket size:** Failure to use the correct socket size will cause a reduction in fastening torque.
- **Bolt Size:** Larger bolt diameters generally require higher fastening torque. Fastening torque will also vary according to length, grade, and torque coefficient.
- **Bolt:** Ensure that all threads are free of rust and other debris to allow proper fastening torque.
- **Material:** The type of material and surface finish of the material will affect fastening torque.
- **Fastening Time:** Longer fastening time results in increased fastening torque. Using a longer fastening time than recommended could cause the fasteners to be overstressed, stripped or damaged.

### Capacity

Your 1/2" impact wrench uses sockets with 1/2" square drive ends. A 3/4" impact wrench uses sockets with 3/4" square drive ends. Both sizes of impact wrenches are capable of driving the same range of hex impact sockets available.

In particularly heavy duty usage the 3/4" drive impact wrench has an extra strong anvil that will resist breakage.

### Lubrication

Your tool was properly lubricated before leaving the factory. In two to six months, depending upon use, take or send the tool to a certified service center for a thorough cleaning and inspection. This lubrication should only be attempted by trained power tool repair persons, such as those at DeWALT service centers or by other qualified service personnel.

Tools used constantly on production or heavy duty jobs or exposed to heat may require more frequent lubrication. Tools "out of service" for long periods should be relubricated before being put back into service.

### Accessories

Recommended accessories for use with your tool are available at extra cost from your local service center. If you need assistance in locating any accessory, please contact DeWALT Industrial Tool Co., 701 East Joppa Road, Baltimore, MD 21286 or call 1-800-4-DEWALT (1-800-433-9258).

**CAUTION:** The use of any non-recommended accessory may be hazardous.

**CAUTION:** Use only impact sockets. Non-impact sockets may break and cause a hazardous condition. Inspect sockets prior to use to ensure that it contains no cracks.

### Repairs

To assure product SAFETY and RELIABILITY, repairs, maintenance and adjustment (including brush inspection and replacement) should be performed by authorized service centers or other qualified service organizations, always using identical replacement parts.

### Three Year Limited Warranty

DeWALT will repair, without charge, any defects due to faulty materials or workmanship for three years from the date of purchase. This warranty does not cover part failure due to normal wear or tool abuse. For further detail of warranty coverage and warranty repair information, visit [www.dewalt.com](http://www.dewalt.com) or call 1-800-4-DEWALT (1-800-433-9258). This warranty does not apply to accessories or damage caused where repairs have been made or attempted by others. This warranty gives you specific legal rights and you may have other rights which vary in certain states or provinces.

In addition to the warranty, DeWALT tools are covered by our:

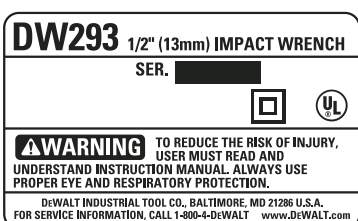
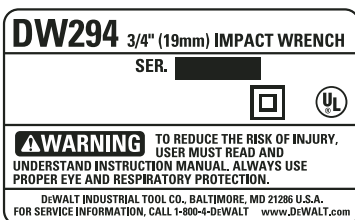
#### 1 YEAR FREE SERVICE

DeWALT will maintain the tool and replace worn parts caused by normal use, for free, any time during the first year after purchase.

#### 90 DAY MONEY BACK GUARANTEE

If you are not completely satisfied with the performance of your DeWALT Power Tool, Laser, or Nailers for any reason, you can return it within 90 days from the date of purchase with a receipt for a full refund – no questions asked.

**FREE WARNING LABEL REPLACEMENT:** If your warning labels become illegible or are missing, call 1-800-4-DEWALT for a free replacement.



POUR TOUT RENSEIGNEMENT SUPPLÉMENTAIRE SUR CET OUTIL OU TOUT AUTRE OUTIL DEWALT, COMPOSER SANS FRAIS LE NUMÉRO :  
1-800-4-DEWALT (1-800-433-9258)

### Règles de sécurité – Généralités

**AVERTISSEMENT :** Lire toutes ces directives. Tout manquement aux directives suivantes pose des risques de choc électrique, d'incendie et/ou de blessure grave. Le terme « outil électrique » dans tous les avertissements ci-après se rapporte à votre outil électrique à alimentation sur secteur (avec fil) ou par piles (sans fil).

#### CONSERVER CES DIRECTIVES

##### 1) SÉCURITÉ - AIRE DE TRAVAIL

- Maintenir l'aire de travail propre et bien éclairée.** Les lieux encombrés ou sombres sont propices aux accidents.
- Ne pas faire fonctionner un outil électrique dans une atmosphère explosive, en présence par exemple de poussières, gaz ou liquides inflammables.** Les outils électriques peuvent engendrer des étincelles qui pourraient enflammer toute émanation ou poussière ambiante.

c) **Tenir les enfants, ou toute autre personne, éloignés pendant l'utilisation d'un outil électrique.** Toute distraction pourrait vous faire perdre la maîtrise de ce dernier.

##### 2) SÉCURITÉ – ÉLECTRICITÉ

- La fiche électrique de l'outil doit correspondre à la prise murale. Ne jamais modifier la fiche en aucune façon. Ne jamais utiliser de fiche d'adaptation avec un outil électrique mis à la terre.** L'utilisation de fiches d'origine et de prises appropriées réduira les risques de choc électrique.
- Éviter tout contact corporel avec des éléments mis à la terre comme tuyaux, radiateurs, cuisinières ou réfrigérateurs.** Les risques de choc électrique augmentent lorsque le corps est mis à la terre.
- Ne pas exposer les outils électriques à la pluie ou à l'humidité.** Toute pénétration d'un outil électrique par un liquide augmente les risques de choc électrique.
- Ne pas utiliser le cordon de façon abusive. Ne jamais utiliser le cordon pour transporter, tirer ou débrancher un outil électrique. Protéger le cordon de la chaleur, de l'huile et de tout bord tranchant ou pièce mobile.** Les cordons endommagés ou emmêlés augmentent les risques de choc électrique. Remplacer ou faire réparer tout cordon endommagé. S'assurer que la rallonge est en bon état. N'utiliser que des rallonges trifilaires munies de fiches tripolaires et des prises tripolaires acceptant la fiche de l'outil.
- Lors de l'utilisation d'un outil électrique à l'extérieur, n'utiliser que des rallonges conçues pour l'extérieur.** L'utilisation d'une rallonge conçue pour l'extérieur réduit les risques de choc électrique. En cas d'utilisation d'une rallonge, s'assurer que les valeurs nominales de la rallonge utilisée correspondent bien à celles de l'outil alimenté. L'usage d'une rallonge de calibre insuffisant causera une chute de tension entraînant perte de puissance et surchauffe. Le tableau ci-dessous illustre les calibres à utiliser selon la longueur de rallonge et l'intensité nominale indiquée sur la plaque signalétique. En cas de doutes, utiliser le calibre suivant. Plus le calibre est petit, plus la rallonge peut supporter de courant.

Volts	Calibre mínimo para cordones de extensión					
	Longitud total del cordón en metros					
120V	0-7,6	7,6-15,2	15,2-30,4	30,4-45,7		
240V	0-15,2	15,2-30,4	30,4-60,9	60,9-91,4		
Amperaje	Calibre del cordón AWG					
	Más de	No más de				
6	-	10	18	16	14	12

##### 3) SÉCURITÉ PERSONNELLE

- Rester vigilant en tout temps et faire preuve de jugement pendant l'utilisation d'un outil électrique. Ne pas utiliser d'outil électrique en cas de fatigue ou sous l'influence de drogues, d'alcool ou de médicaments.** Tout moment d'inattention pendant l'utilisation d'un outil électrique pose des risques de blessure grave.
- Utiliser le matériel de sécurité approprié. Toujours porter des lunettes de protection.** Le fait de porter un masque anti-poussières, des chaussures antidérapantes, un casque de sécurité ou des protecteurs auditifs lorsque la situation le requiert réduira les risques de blessure.
- Éviter tout démarrage accidentel. S'assurer que l'interrupteur est en position d'arrêt avant tout branchement.** Transporter un outil le doigt sur l'interrupteur ou brancher un outil électrique alors que l'interrupteur est en position de marche invite les accidents.
- Retirer toute clé de réglage avant de démarrer l'outil.** Une clé laissée sur une pièce rotative d'un outil électrique pose des risques de blessure.
- Ne pas effectuer de travaux hors de portée. Les pieds doivent rester bien ancrés au sol afin de maintenir son équilibre en tout temps.** Cela permet de mieux maîtriser l'outil électrique dans les situations imprévues.
- Porter des vêtements appropriés. Ne pas porter de vêtements amples ni de bijoux. Maintenir cheveux, vêtements et gants éloignés des pièces mobiles.** Vêtements amples, bijoux ou cheveux longs risquent de rester coincés dans ces pièces mobiles. Prendre des précautions autour des événements car ils recouvrent des pièces mobiles.
- Lorsque un dispositif de connexion à un système de dépolluissage ou d'élimination est fourni, s'assurer qu'il est connecté et utilisé correctement.** L'utilisation de ces dispositifs peut réduire les risques engendrés par les poussières.

##### 4) UTILISATION ET ENTRETIEN DES OUTILS ÉLECTRIQUES

- Ne pas forcer un outil électrique. Utiliser l'outil approprié au travail en cours.** L'outil approprié effectuera un meilleur travail, de façon plus sûre et à la vitesse pour laquelle il a été conçu.
- Ne pas utiliser un outil électrique dont l'interrupteur est défectueux.** Tout appareil dont l'interrupteur est défectueux est dangereux et doit être réparé.
- Débrancher la fiche du secteur et/ou le bloc-piles de l'outil électrique avant de faire tout réglage ou changement d'accessoire, ou avant de ranger ce dernier.** Ces mesures préventives réduisent les risques de démarrage accidentel de l'appareil.
- Après usage, ranger les outils électriques hors de la portée des enfants, et ne permettre à aucune personne n'étant pas familière avec un outil électrique (ou son manuel d'instruction) d'utiliser ce dernier.** Les outils peuvent être dangereux entre les mains des novices.
- Entretenir les outils électriques. Vérifier les pièces mobiles pour s'assurer qu'elles sont bien alignées et tournent librement, qu'elles sont en bon état et ne sont affectées d'aucune condition susceptible de nuire au bon fonctionnement de l'outil. En cas de dommage, faire réparer l'outil électrique avant toute nouvelle utilisation.** Bien des accidents sont causés par des outils mal entretenus.
- Maintenir tout outil de coupe bien aiguisé et propre.** Les outils de coupe bien entretenus et affûtés sont moins susceptibles de se coincer et sont plus faciles à contrôler.
- Utiliser un outil électrique, ses accessoires, mèches, etc., conformément aux présentes directives et suivant la manière prévue pour ce type particulier d'outil électrique, en tenant compte des conditions de travail et du travail à effectuer.** L'utilisation d'un outil électrique pour toute opération autre que celle pour laquelle il a été conçu est dangereuse.

##### 5) SERVICE

- Faire entretenir les outils électriques par un réparateur qualifié en n'utilisant que des pièces de rechange identiques.** Cela permettra d'assurer l'intégrité de l'outil électrique et la sécurité de l'utilisateur.

### Mesures de sécurité additionnelles

- **Tenir l'outil par les surfaces de saisie isolées pour les travaux où l'outil de coupe risque de toucher à des fils dissimulés.** Tout contact avec un fil "sous tension" provoquera "l'électrisation" des parties métalliques exposées et l'électrocution de l'utilisateur.
- **Toujours porter des lunettes de protection (ANSI Z.87.1) ou toute autre protection oculaire.** Lors du martelage ou du perçage, des débris sont rejetés dans l'air. Ces derniers peuvent causer des dommages oculaires permanent.
- **Mèches, douilles ou outils peuvent chauffer pendant leur utilisation.** Toujours porter des gants avant de les manipuler.
- **Ne pas utiliser cet outil pendant des périodes prolongées.** Les vibrations causées par l'outil peuvent poser des risques pour les mains ou les bras. Porter des gants pour amortir les vibrations, et pour limiter les risques faire des pauses fréquentes.
- **MISE EN GARDE :** Porter un dispositif de protection personnel anti-bruit approprié durant l'utilisation. Sous certaines conditions et pendant toute la durée de l'utilisation, le bruit émanant de ce produit pourrait contribuer à la perte d'audition.
- **AVERTISSEMENT :** Certains outils, tels que les sableuses électriques, les scies, les meules, les perceuses ou certains autres outils de construction, peuvent soulever de la poussière contenant des produits chimiques susceptibles d'entraîner le cancer, des malformations congénitales ou pouvant être nocifs pour le système reproductif. Parmi ces produits chimiques, on retrouve :
  - le plomb dans les peintures à base de plomb;
  - la silice cristalline dans les briques et le ciment et autres produits de maçonnerie;
  - l'arsenic et le chrome dans le bois de sciage ayant subi un traitement chimique (CCA).




Le risque associé à de telles expositions peut varier selon la fréquence avec laquelle on effectue ces travaux. Pour réduire l'exposition à de tels produits, il faut travailler dans un endroit bien ven-

tilé et utiliser l'équipement de sécurité approprié tel un masque anti-poussières spécialement conçu pour filtrer les particules microscopiques.

- **Éviter tout contact prolongé avec la poussière soulevée par cet outil ou autres outils électriques. Porter des vêtements de protection et nettoyer les parties exposées du corps avec de l'eau savonneuse. S'assurer de bien se protéger afin d'éviter d'absorber par la bouche, les yeux ou la peau des produits chimiques nocifs.**

**AVERTISSEMENT :** Cet outil peut produire et répandre de la poussière susceptible de causer des dommages sérieux et permanents au système respiratoire. Toujours utiliser un appareil respiratoire anti-poussières approuvé par le NIOSH ou l'OSHA. Diriger les particules dans le sens opposé du visage et du corps.

- L'étiquette apposée sur l'outil peut comprendre les symboles suivants. Voici les symboles et leurs définitions :

V .....	volts	A .....	ampères
Hz .....	hertz	W .....	watts
min .....	minutes	~ .....	courant alternatif
==== .....	courant direct	no .....	régime sans charge
 .....	construction de classe II	.../min .....	tours par minute
 .....	symbole d'avertissement	 .....	borne de terre
		BPM .....	battements par la minute

## CONSERVEZ CES INSTRUCTIONS

### COMPOSANTS (fig. 1)

- Interrupteur
- Enclume

### Moteur

Un moteur DEWALT actionne l'outil DEWALT. Veiller à ce que la tension d'alimentation soit conforme aux exigences de la plaque signalétique de l'outil.

La mention «Volts 50/60 Hz» ou «c.a. seulement» signifie que l'outil fonctionne seulement sur du courant alternatif et jamais sur du courant continu.

Une baisse de tension de plus de 10 p. 100 entraîne une perte de puissance et la surchauffe. Tous les outils DEWALT sont essayés avant de quitter l'usine. Lorsque celui-ci refuse de fonctionner, vérifier la source de courant électrique.

### Balais du moteur

Les outils DEWALT sont dotés d'un système perfectionné de vérification des balais qui arrête automatiquement l'outil lorsque les balais sont usés afin d'empêcher d'endommager le moteur.

### Interrupteur

Lorsqu'on enfonce la partie INFÉRIEURE de l'interrupteur (A), l'appareil fonctionne en marche avant (filet à droite). Il suffit d'enfoncer la partie SUPÉRIEURE de l'interrupteur pour actionner la marche arrière. Le mouvement de va-et-vient permet de retirer les attaches coincées.

### Enclume avec goupille d'arrêt

Pour installer une douille sur l'enclume (B), il suffit d'aligner le trou qui se trouve sur le côté de la douille sur la goupille d'arrêt de l'enclume. Insérer la douille sur l'enclume jusqu'à ce que la goupille d'arrêt s'enclenche dans le trou. Pour retirer la douille, il suffit d'enfoncer la goupille d'arrêt dans le trou à l'aide d'un objet mince et pointu, puis de retirer la douille.

### Durée de l'impact

De nombreux facteurs peuvent faire varier considérablement le couple exercé sur toute attache.

### Utilisation

Cet outil à percussion génère les couples suivants :

Cat #	Nm
DW292	440
DW293	440
DW294	440

**MISE EN GARDE :** S'assurer que tout vis/écrou et/ou le système supportera le niveau de couple généré par l'outil. Un couple excessif pose des risques de dommages matériels et corporels.

1. Installer la douille sur la tête de fixation. Maintenir l'outil droit sur la fixation.
2. Appuyer sur l'interrupteur à bascule pour commencer l'utilisation. Toujours vérifier le couple à l'aide d'une clé dynamométrique, car le couple de serrage est affecté par beaucoup de facteurs, y compris :
  - **Le voltage :** Un voltage faible, causé par un générateur ou une longue rallonge, réduira le couple de serrage.
  - **Le calibre des douilles :** L'utilisation de douilles de mauvais calibre réduira le serrage de couple.
  - **Le calibre des boulons :** Des boulons de gros diamètre requièrent généralement un serrage de couple supérieur. Le serrage de couple variera aussi en fonction de la longueur, du degré et du coefficient de couple.
  - **Écrou :** Vérifier que le filetage ne comporte ni débris ni rouille pour assurer un couple de serrage adéquate.
  - **Le matériel :** Le type de matériel ou de finition du matériel affectera le serrage de couple.
  - **La durée de serrage :** Plus la durée de serrage est longue, plus le serrage de couple est important. Le fait d'utiliser une durée de serrage supérieure au temps recommandé augmente les risques d'endommager ou stresser les fixations ou leur filetage.

### Capacité

La clé à chocs de 13mm (1/2 po) utilise des douilles à extrémités carrées de 13mm (1/2 po). Une clé à chocs de 19mm (3/4 po) utilise des douilles à extrémités carrées de 19mm (3/4 po). Les deux types de clés peuvent enfoncer la même gamme de douilles hexagonales.

Dans des conditions d'utilisation particulièrement difficiles, la clé à chocs de 19mm (3/4 po) comporte une enclume des plus robustes qui résiste au bris.

### Lubrification

Votre outil à été parfaitement lubrifié avant son départ d'usine. Dans les deux à six mois, selon la fréquence d'utilisation, apporter ou envoyer l'appareil dans un centre de service autorisé pour y être soigneusement nettoyé et inspecté. Cette lubrification ne doit être effectuée que par du personnel de réparation qualifié, comme celui des centres de service DEWALT ou tout autre personnel de réparation qualifié.

Les outils utilisés constamment pour des travaux industriels ou intensifs ou qui sont exposés à la chaleur peuvent nécessiter d'être lubrifiés plus souvent. Les outils inutilisés pendant des périodes prolongées doivent être relubrifiés avant toute réutilisation.

### Accessoires

On peut se procurer en sus les accessoires recommandés pour l'outil chez les détaillants ou aux centres de service autorisés. Pour trouver un accessoire pour l'outil, communiquer à l'adresse suivante. DEWALT Industrial Tool Co., 701 East Joppa Road, Baltimore, MD 21286

**MISE EN GARDE :** L'utilisation de tout autre accessoire non recommandé pour l'outil peut être dangereuse.

**MISE EN GARDE :** N'utiliser que des douilles pour clé à choc. Tout autre modèle pourrait se briser et poser des risques pour l'utilisateur. Inspecter les douilles avant toute utilisation pour s'assurer qu'elles ne sont pas fêlées.

### Réparations

Pour assurer la SÉCURITÉ D'EMPLOI et la FIABILITÉ de l'outil, n'en confier la réparation, l'entretien et les ajustements (y compris l'inspection et le remplacement des balais) qu'au personnel d'un centre de service DEWALT ou d'un atelier d'entretien autorisé n'utilisant que des pièces de rechange identiques.

### Garantie limité de trois ans

DEWALT réparera, sans frais, tout produit défectueux causé par un défaut de matériel ou de fabrication pour une période de trois ans à compter de la date d'achat. La présente garantie ne couvre pas les pièces dont la défectuosité a été causée par une usure normale ou l'usage abusif de l'outil. Pour obtenir de plus amples renseignements sur les pièces ou les réparations couvertes par la présente garantie, visiter le site [www.dewalt.com](http://www.dewalt.com) ou composer le 1 800 433-9258

(1 800 4-DEWALT). Cette garantie ne s'applique pas aux accessoires et ne vise pas les dommages causés par des réparations effectuées par un tiers. Cette garantie confère des droits légaux particuliers à l'acheteur, mais celui-ci pourrait aussi bénéficier d'autres droits variant d'un état ou d'une province à l'autre.

En plus de la présente garantie, les outils DEWALT sont couverts par notre :

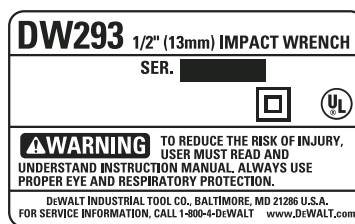
#### CONTRAT D'ENTRETIEN GRATUIT D'UN AN

DEWALT entretiendra l'outil et remplacera les pièces usées au cours d'une utilisation normale et ce, gratuitement, pendant une période d'un an à compter de la date d'achat, et la

#### GARANTIE DE REMBOURSEMENT DE 90 JOURS

Si l'acheteur n'est pas entièrement satisfait, pour quelque raison que ce soit, du rendement de l'outil électrique, du laser ou de la cloueuse DEWALT, celui-ci peut le retourner, accompagné d'un reçu, dans les 90 jours à compter de la date d'achat, pour obtenir un remboursement intégral, sans aucun problème.

**REPLACEMENT GRATUIT DE L'ÉTIQUETTE :** Si vos étiquettes d'avertissement deviennent illisibles ou sont manquantes, composez le 1-800-4-DEWALT pour obtenir une étiquette de remplacement gratuite.



### Reglas de seguridad generales

**¡ADVERTENCIA!** Lea todas las instrucciones. El incumplimiento con alguna de las instrucciones enumeradas más abajo puede resultar en descarga eléctrica, incendio y/o lesiones corporales serias. El uso del término "máquina herramienta" en las advertencias que se encuentran a continuación, se refiere a su máquina herramienta ya sea operada por la red de suministro (con cable de alimentación) o a batería (inalámbrica).

### GUARDE ESTAS INSTRUCCIONES

#### 1) SEGURIDAD EN EL ÁREA DE TRABAJO

- Mantenga su área de trabajo limpia y bien iluminada.** Los accidentes abundan en las áreas de trabajo desordenadas u oscuras.
- No opere máquinas herramienta en ambientes explosivos, tales como en presencia de líquidos, gases o polvos inflamables.** Las máquinas herramienta generan chispas que pueden inflamar el polvo o los gases.
- No use máquinas herramienta en presencia de niños u otras personas circunstantes.** Las distracciones pueden hacerle perder el control.

#### 2) SEGURIDAD ELÉCTRICA

- Los enchufes de las máquinas herramienta deben poder acoplarse a la toma de corriente. Jamás modifique el enchufe de ninguna manera. No emplee adaptadores de enchufe con máquinas herramienta conectadas a tierra.** Los enchufes no modificados y las tomas de corriente que correspondan al enchufe reducirán el riesgo de descarga eléctrica.
- Evite el contacto corporal con superficies conectadas a tierra, tales como tuberías, radiadores, cocinas y refrigeradores.** Existe un mayor riesgo de descarga eléctrica cuando su cuerpo está conectado a tierra.
- No exponga máquinas herramienta a condiciones lluviosas o húmedas.** Si entra agua a la máquina herramienta, aumentará el riesgo de descarga eléctrica.
- No abuse del cable. Jamás transporte, arrastre o desenchufe la máquina herramienta por el cable. Mantenga el cable alejado de fuentes de calor, aceite, bordes afilados o piezas en movimiento.** Los cables dañados o enredados aumentan el riesgo de descarga eléctrica. Cambie o repare aquellos cables que estén dañados. Verifique que su alargador esté en buenas condiciones. Utilice sólo alargadores de 3 hilos con enchufes de 3 patas, con conexión a tierra y tomas de corriente de 3 polos que acepten el enchufe de la herramienta.
- Cuando opere una máquina herramienta a la intemperie, use un alargador diseñado para uso a la intemperie.** El uso de un alargador diseñado para uso a la intemperie reduce el riesgo de descarga eléctrica. Cuando use un alargador, asegúrese de usar uno de un calibre suficiente como para cargar con la corriente que requerirá su producto. Un alargador de menor calibre causará una caída en el voltaje de la línea lo que resultará en pérdida de potencia y sobrecalentamiento. El siguiente cuadro muestra el tamaño correcto a utilizar, dependiendo del largo del cable y el amperaje nominal. En caso de duda, utilice el de mayor calibre. Mientras menor el número del calibre, mayor la capacidad del cable.

Volts	Calibre mínimo para cordones de extensión			
	Longitud total del cordón en metros			
120V	0-7,6	7,6-15,2	15,2-30,4	30,4-45,7
240V	0-15,2	15,2-30,4	30,4-60,9	60,9-91,4
Amperaje		Calibre del cordón AWG		
Más de	No más de			
6	10	18	16	14
				12

#### 3) SEGURIDAD PERSONAL

- Manténgase alerta, fíjese en lo que está haciendo y utilice su sentido común cuando opere una máquina herramienta. No utilice una máquina herramienta si está cansado o bajo la influencia de drogas, alcohol o medicamentos.** Sólo hace falta un momento de distracción durante la operación de máquinas herramienta para causar lesiones corporales serias.
- Use equipo de seguridad. Utilice siempre protección ocular.** El uso de un equipo de seguridad apropiado a las condiciones de trabajo, tal como máscaras antipolvo, calzado de seguridad anti-derrapante, cascos o protección auditiva, reducirá la posibilidad de sufrir lesiones corporales.
- Evite encender la máquina herramienta en forma accidental. Verifique que el conmutador esté apagado antes de enchufar la máquina herramienta.** El sujetar una máquina herramienta con el dedo en el conmutador o enchufar máquinas herramienta con el conmutador encendido se presta para que ocurran accidentes.
- Retire toda llave de ajuste antes de encender la máquina herramienta.** Si se deja alguna llave en una pieza giratoria de la máquina herramienta, podría provocar lesiones.
- No se sobreextienda. Manténgase siempre bien apoyado y equilibrado.** Esto permite tener un mayor control de la máquina herramienta en situaciones inesperadas.
- Vístase debidamente. No se ponga ropa suelta o joyas. Mantenga su pelo, ropa y guantes alejados de piezas móviles.** La ropa suelta, las joyas y el pelo largo pueden quedar atrapados en las piezas móviles. Los orificios de ventilación suelen cubrir piezas en movimiento, por lo que también se deben evitar.

**g) Si la máquina herramienta viene con algún dispositivo de conexión para la extracción y colección de polvo, asegúrese que este sea debidamente conectado y utilizado.** El uso de estos dispositivos puede reducir los peligros relacionados a la generación de polvo.

#### 4) USO Y CUIDADO DE LA MÁQUINA HERRAMIENTA

- a) No fuerce la máquina herramienta. Use la máquina herramienta correcta para su aplicación.** La máquina herramienta apropiada hará un trabajo mejor y más seguro si se usa de la forma para la cual fue diseñada.
- b) No use la máquina herramienta si el conmutador no puede encenderla y apagarla.** Cualquier máquina herramienta que no pueda ser controlada con el conmutador es peligrosa y debe ser reparada.
- c) Desenchufe la máquina herramienta de la toma de corriente y/o de la unidad de alimentación antes de ajustarla, cambiar de accesorio o guardarla.** Estas medidas de seguridad preventiva reducen el riesgo de poner en marcha la máquina herramienta accidentalmente.
- d) Guarde su máquina herramienta fuera del alcance de niños cuando no la esté usando y no permita que personas que no estén familiarizadas con la máquina herramienta o estas instrucciones la usen.** Las máquinas herramienta son peligrosas en manos de personas no capacitadas.
- e) Mantenga su máquina herramienta. Revise la máquina herramienta para verificar que no esté mal alineada, que sus piezas móviles no estén trabadas o rotas y que no exista otra condición que pudiera afectar su operación. Si está dañada, haga reparar la máquina herramienta antes de utilizarla.** Muchos accidentes son causados por usar máquinas herramienta que no han sido bien mantenidas.
- f) Mantenga máquinas herramienta que son usadas para cortar afiladas y limpias.** Las máquinas herramienta de corte debidamente mantenidas y afiladas tienen menos probabilidades de trabarse y son más fáciles de controlar.
- g) Use la máquina herramienta, sus accesorios, etc., en cumplimiento con estas instrucciones y en la manera para la cual la máquina herramienta fue diseñada, tomando en cuenta las condiciones de trabajo y el trabajo a realizar.** El uso de una máquina herramienta para operaciones fuera de aquellas para las que fue diseñada podría resultar en una situación peligrosa.

#### 5) SERVICIO

- a) Haga reparar su máquina herramienta por un técnico de reparación calificado, utilizando sólo repuestos originales.** Esto garantizará la seguridad de la máquina herramienta.

### Normas específicas de seguridad adicionales

- Sujete la herramienta por las superficies aislantes si lleva a cabo una operación en que la herramienta puede tocar un conductor oculto.** El contacto con un conductor activo provocará que las piezas metálicas de la herramienta conduzcan electricidad y que el operador reciba una descarga eléctrica.
- Use gafas de protección de ANSI Z.87.1 u otro tipo de protección ocular.** El martillado y taladrado pueden hacer que vuelen astillas. Estas partículas pueden causar daños permanentes.
- Las brocas, los casquillos y herramientas se calientan durante la operación.** Use guantes cuando las toque.
- No opere esta herramienta durante períodos largos de tiempo.** La vibración causada por la acción de la herramienta puede ser dañina para sus manos y brazos. Use guantes para un mejor amortiguamiento y descanse con frecuencia para limitar su exposición.

**▲ PRECAUCION: Utilice la protección auditiva apropiada durante el uso.** Bajo ciertas condiciones de duración de uso, el ruido producido por este producto puede contribuir a la pérdida auditiva.

**▲ ADVERTENCIA:** Parte del polvo creado al lijar, aserruchar, moler o perforar con máquina, así como al realizar otras actividades de la construcción, contiene sustancias químicas que se sabe producen cáncer, defectos congénitos u otras afecciones reproductivas. Algunos ejemplos de esas sustancias químicas son:

- plomo de pinturas a base de plomo,
- sílice cristalizado de ladrillos y cemento y otros productos de albañilería, y
- arsénico y cromo de la madera químicamente tratada (CCA).

El riesgo al contacto con estas sustancias varía, según la frecuencia en que se haga este tipo de trabajo. Para reducir la exposición a esas sustancias químicas: trabaje en un área bien ventilada, y trabaje con equipos de seguridad aprobados, tales como máscaras contra el polvo especialmente diseñadas para filtrar las partículas microscópicas.

- Evite el contacto prolongado con polvos originados por lijar, aserrar, esmerilar, taladrar y otras actividades constructivas. Vista ropas protectoras y lave las áreas expuestas con agua y jabón.** Permitir que el polvo se introduzca en su boca, ojos, o dejarlo sobre la piel promueve la absorción de químicos dañinos.

**▲ ADVERTENCIA:** Toda persona que entre al área de trabajo deberá usar una máscara antipolvo o protección respiratoria. El filtro debería ser reemplazado a diario o cuando el usuario tenga dificultad para respirar. Puede encontrar la máscara antipolvo apropiada aprobada por NIOSH/OSHA en su ferretería local.

- La etiqueta de la herramienta puede incluir los símbolos siguientes. A continuación se indican los símbolos y sus definiciones:

V .....	voltios	A.....	amperes
Hz .....	hertzios	W .....	vatios
min .....	minutos	~ .....	corriente alterna
==== .....	corriente directa	nº.....	velocidad sin carga
<span></span> .....	construcción de Clase II	.../min .....	revoluciones por minuto
<span></span> .....	terminal a tierra	BPM.....	golpes por minuto
<span></span> .....	símbolo de advertencia		

### COMPONENTES (Fig. 1)

- A. Interruptor
- B. Yunque

### Motor

Su herramienta DeWALT viene con un motor construido por DeWALT. Compruebe que su suministro eléctrico concuerde con el indicado en la placa nominal.

Voltios 50/60 Hz o “sólo AC” significa que su herramienta debe operarse con corriente alterna y nunca con corriente continua.

Una reducción de voltaje superior al 10% provocará pérdida de potencia y sobrecalentamiento. Las herramientas DeWALT vienen probadas de fábrica; si esta herramienta no funciona, revise el abastecimiento eléctrico.

### Carbones del motor

Esta herramienta DeWALT utiliza un avanzado sistema de carbones que apaga la herramienta automáticamente cuando los carbones se han desgastado. Esto evita daños serios al motor.

### Interruptor

Al oprimir la parte INFERIOR del interruptor (A) la herramienta se enciende hacia adelante (cuerda derecha). Al oprimir la parte SUPERIOR del interruptor, se invierte la dirección del motor. Esto permite “mecer” los tornillos para aflojarlos.

### Yunque con perno retén

Para instalar un dado en el yunque (B), haga coincidir el orificio que se encuentra en uno de los lados del dado con el perno retén del yunque. Oprima el dado hasta que el perno retén se enganche en el orificio. Para quitar un dado, oprima el perno retén a través del orificio, con un pequeño objeto puntiagudo, y tire del dado hacia fuera.

### Tiempo de impacto

Existen muchas variables que pueden causar que el torque en un tornillo varíe considerablemente.

### Uso

Su herramienta de impacto genera el siguiente par torsor de salida:

	Cat #	Nm
	DW292	440
	DW293	440
	DW294	440

**▲ PRECAUCIÓN:** Asegúrese que el sujetador y/o el sistema tolerarán el nivel de par torsor generado por la herramienta. Un par torsor excesivo podría causar rompimiento y posibles lesiones corporales.

- Coloque el casquillo en la cabeza de la pieza de fijación. Mantenga la herramienta apuntada directamente a la pieza.
- Presione el conmutador basculante para iniciar la operación. Siempre revise el par con una llave de ajuste dinamométrica, ya que el par de ajuste es afectado por muchos factores, incluyendo:
  - Voltaje:** El voltaje bajo, debido al uso de un generador o alargador, reducirá el par de ajuste.
  - Tamaño del casquillo:** El no usar un tamaño correcto de casquillo causará una reducción en el par de ajuste.
  - Tamaño del perno:** Los diámetros mayores de pernos generalmente requieren un par de ajuste mayor. El par de ajuste también varía de acuerdo al largo y calibre de la pieza y al índice del par.
  - Perno:** Asegúrese que todos los hilos estén libres de óxido y otros desechos para permitir un par de ajuste apropiado.
  - Material:** El tipo de material y el acabado de la superficie del material afectará al par de ajuste.
- Tiempo de ajuste:** Los períodos de ajuste mayores resultarán en un par de ajuste mayor. El uso de un período de ajuste mayor del recomendado podría hacer que las piezas de fijación se rueden o se dañen los hilos o las piezas.

### Capacidad

Su llave de impacto de 12,7 mm (1/2") utiliza dados con mando cuadrado de12,7mm (1/2"). Una llave de impacto de 19 mm (3/4") utiliza dados con mando cuadrado de 19 mm (3/4"). Ambos tamaños de llaves de impacto son capaces de funcionar con la misma variedad de dados con mando hexagonal.

En usos particularmente pesados, la llave de impacto de 19 mm (3/4") tiene un yunque extra fuerte que resistirá la ruptura.

### Lubricación

Su herramienta fue debidamente lubricada antes de dejar la fábrica. Lleve o envíe la herramienta a un centro de servicio certificado en dos a seis meses, dependiendo del nivel de uso, para que se le haga una limpieza e inspección minuciosa. Esta lubricación sólo debería realizarla técnicos de servicio capacitados en la reparación de máquinas herramienta, tales como los que encontrará en los centros de servicio DeWALT o por otro personal de servicio calificado.

Las herramientas utilizadas constantemente en producción o tareas pesadas o que son expuestas a calor pueden requerir una lubricación más frecuente. Las herramientas que no son utilizadas por períodos largos de tiempo deberían volverse a lubricar antes de usarse nuevamente.

### Accesorios

Dispone usted de los accesorios recomendados para su herramienta con cargo adicional con su distribuidor o en su centro de servicio locales. Si necesita usted ayuda para encontrar algún accesorio para su herramienta, por favor haga contacto con: DeWALT Industrial Tool Co., 701 East Joppa Road, Baltimore, MD 21286.

**▲ PRECAUCIÓN:** El empleo de cualquier accesorio no recomendado para esta herramienta puede ser peligroso.

**▲ PRECAUCIÓN:** Use sólo casquillos de impacto. Los casquillos que no son de impacto pueden romperse y causar una situación peligrosa. Inspeccione los casquillos antes de usarlos para asegurarse que no contengan trizaduras.

### Reparaciones

Para garantizar la SEGURIDAD y la CONFIABILIDAD, deberán hacerse reparaciones, mantenimiento y ajustes de esta herramienta en los centros autorizados de servicio DeWALT u otras organizaciones autorizadas. Estas organizaciones prestan servicio a las herramientas DeWALT y emplean siempre refacciones legítimas DeWALT.

<b> PARA REPARACIÓN Y SERVICIO DE SUS HERRAMIENTAS ELÉCTRICAS, FAVOR DE DIRIGIRSE AL CENTRO DE SERVICIO MÁS CERCANO</b>	
<b>CULIACAN, SIN</b> Av. Nicolás Bravo #1063 Sur - Col. Industrial Bravo	(667) 7 12 42 11
<b>GUADALAJARA, JAL</b> Av. La Paz #1779 - Col. Americana Sector Juárez	(33) 3825 6978
<b>MEXICO, D.F.</b> Eje Central Lázaro Cárdenas No. 18 Local D, Col. Obrera	(55) 5588 9377
<b>MERIDA, YUC</b> Calle 63 #459-A - Col. Centro	(999) 928 5038
<b>MONTERREY, N.L.</b> Av. Francisco I. Madero No.831 - Col. Centro	(81) 8375 2313
<b>PUEBLA, PUE</b> 17 Norte #205 - Col. Centro	(222) 246 3714
<b>QUERETARO, QRO</b> Av. Madero 139 Pte. - Col. Centro	(442) 214 1660
<b>SAN LUIS POTOSI, SLP</b> Av. Universidad 1525 - Col. San Luis	(444) 814 2383
<b>TORREON, COAH</b> Blvd. Independencia, 96 Pte. - Col. Centro	(871) 716 5265
<b>VERACRUZ, VER</b> Prolongación Díaz Mirón #4280 - Col. Remes	(229) 921 7016
<b>VILLAHERMOSA, TAB</b> Constitución 516-A - Col. Centro	(993) 312 5111
<b> PARA OTRAS LOCALIDADES LLAME AL: (55) 5326 7100</b>	

### Póliza de Garantía

IDENTIFICACIÓN DEL PRODUCTO:

Sello o firma del Distribuidor.

Nombre del producto: \_\_\_\_\_ Mod./Cat.: \_\_\_\_\_

Marca: \_\_\_\_\_ Núm. de serie:\_\_\_\_\_

(Datos para ser llenados por el distribuidor)

Fecha de compra y/o entrega del producto: \_\_\_\_\_

Nombre y domicilio del distribuidor donde se adquirió el producto:

\_\_\_\_\_

Este producto está garantizado por un año a partir de la fecha de entrega, contra cualquier defecto en su funcionamiento, así como en materiales y mano de obra empleados para su fabricación. Nuestra garantía incluye la reparación o reposición del producto y/o componentes sin cargo alguno para el cliente, incluyendo mano de obra, así como los gastos de transportación razonablemente erogados derivados del cumplimiento de este certificado.

Para hacer efectiva esta garantía deberá presentar su herramienta y esta póliza sellada por el establecimiento comercial donde se adquirió el producto, de no contar con ésta, bastará la factura de compra.

#### EXCEPCIONES.

Esta garantía no será válida en los siguientes casos:

- Cuando el producto se hubiese utilizado en condiciones distintas a las normales;
- Cuando el producto no hubiese sido operado de acuerdo con el instructivo de uso que se acompaña;

- Cuando el producto hubiese sido alterado o reparado por personas distintas a las enlistadas al final de este certificado.

Anexo encontrará una relación de sucursales de servicio de fábrica, centros de servicio autorizados y franquiciados en la República Mexicana, donde podrá hacer efectiva su garantía y adquirir partes, refacciones y accesorios originales.

### **Garantía limitada por tres años**

DeWALT reparará, sin cargo, cualquier falla que surja de defectos en el material o la fabricación del producto, por hasta tres años a contar de la fecha de compra. Esta garantía no cubre fallas de las piezas causadas por su desgaste normal o abuso a la herramienta. Para mayores detalles sobre la cobertura de la garantía e información acerca de reparaciones realizadas bajo garantía, visítenos en [www.dewalt.com](http://www.dewalt.com) o llámenos al 1 800 433-9258 (1-800-4-DeWALT). Esta garantía no aplica a accesorios o a daños causados por reparaciones realizadas o intentadas por terceros. Esta garantía le otorga derechos legales específicos, además de los cuales puede tener otros dependiendo del estado o provincia en que se encuentre.

Además de la garantía, las herramientas DeWALT están cubiertas por:

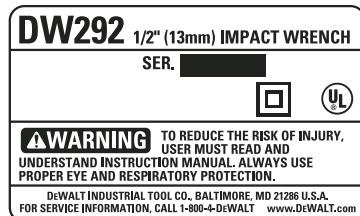
#### **1 AÑO DE SERVICIO GRATUITO**

DeWALT mantendrá la herramienta y reemplazará las piezas gastadas por su uso normal, sin cobro, en cualquier momento durante un año a contar de la fecha de compra.

#### **GARANTÍA DE REEMBOLSO DE SU DINERO POR 90 DÍAS**

Si no está completamente satisfecho con el desempeño de su máquina herramienta, láser o clavadora DeWALT, cualquiera sea el motivo, podrá devolverlo hasta 90 días de la fecha de compra con su recibo y obtener el reembolso completo de su dinero – sin necesidad de responder a ninguna pregunta.

**REEMPLAZO DE LAS ETIQUETAS DE ADVERTENCIA GRATUITO:** Si sus etiquetas de advertencia se tornan ilegibles o se pierden, llame al 1-800-4-DeWALT para que se las reemplacen sin cost.



#### **Información Técnica**

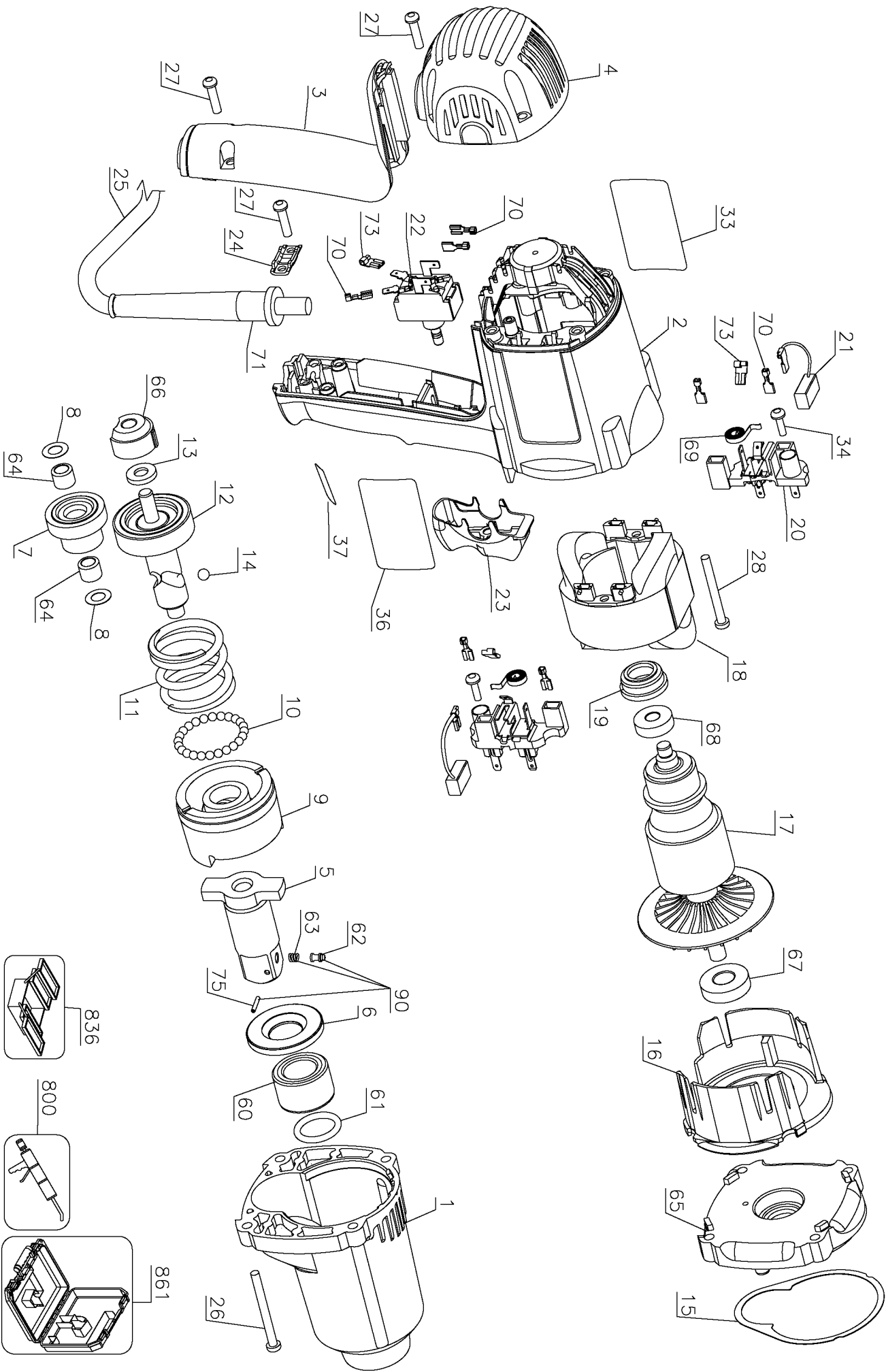
##### **DW292, DW293, DW294**

Tensión de alimentación: 120 V AC ~  
 Consumo de corriente: 7,5 A  
 Frecuencia de alimentación: 50/60 Hz  
 Potencia nominal: 800 W

IMPORTADOR: DeWALT S.A. DE C.V.  
 BOSQUES DE CIDROS ACCESO RADIATAS NO. 42  
 COL. BOSQUES DE LAS LOMAS, 3A. SECCIÓN, CP 05120  
 DELEGACIÓN CUAJIMALPA, MÉXICO, D.F.  
 TEL. 5 326 7100  
 R.F.C.: BDE810626-1W7

Para servicio y ventas consulte  
**“HERRAMIENTAS ELECTRICAS”**  
 en la sección amarilla.





## Parts List for DW292 Type 1

Item Number	Part Number	Description	Qty Required
1	616822-00	GEAR CASE ASSY.	1
2	616828-01	FIELD CASE	1
3	616829-00	HANDLE COVER	1
4	616830-00	END CAP	1
5	627238-00	ANVIL ASSY.	1
6	616859-00	THRUST WASHER	1
7	135093-01	GEAR & PINION	1
8	135089-00	WASHER	2
9	628129-00	IMPACTOR	1
10	475-00	BALL	25
11	618843-00	SPRING	1
12	659923-00	CAM & GEAR	1
13	450667-00	WASHER	1
14	618844-00	STEEL BALL	2
15	616847-00	GASKET	1
16	655537-00	FAN BAFFLE	1
17	658751-00	ARMATURE	1
18	617862-00	FIELD	1
19	445217-02	SLEEVE	1
20	616857-00	BRUSH HOLDER	2
21	655213-02	BRUSH	2
22	616848-00	SWITCH	1
23	617846-00	TRIGGER	1
24	450877-00	CORD CLAMP	1
25	330077-97	CORD/10 FT/18-2	1
26	330019-18	SCREW,PLASTITE	4
27	330019-13	SCREW,M4X19	8

COPYRIGHT© 2005. All Rights Reserved.

Parts list, pricing, and availability subject to change. Please visit [www.dewaltservicenet.com](http://www.dewaltservicenet.com) for current parts information.

## Parts List for DW292 Type 1

Item Number	Part Number	Description	Qty Required
28	330019-17	SCREW	2
33	605523-00	ID LABEL	1
34	176951-00	SCREW	2
36	616875-00	NAMEPLATE	1
37	616876-00	WARNING LABEL	1
60	616844-00	SLEEVE BEARING	1
61	616863-00	O-RING	1
62	143891-00	PIN	1
63	38769-00	SPRING,DETENT	1
64	131790-00	BEARING,NEEDLE	2
65	616823-00	GEAR CASE COVER ASSY.	1
66	616841-00	BEARING BLOCK	1
67	330003-09	BEARING,BALL	1
68	330003-04	BEARING,BALL	1
69	383387-00	SPRING,BRUSH	2
70	137646-00	TERMINAL	7
70	137646-00	TERMINAL	7
71	148809-00	PROTECTOR,CORD	1
73	445964-00	RECEPTACLE	3
75	99205-07	PIN,ROLL	1
90	94783-00	KIT,1/2 DET.PIN	1
800	429698-00	GREASE:4 LB CAN	1
836	233804-32	SRT PRESS PLATE	1
861	630094-00	KITBOX	1

COPYRIGHT© 2005. All Rights Reserved.

Parts list, pricing, and availability subject to change. Please visit [www.dewaltservicenet.com](http://www.dewaltservicenet.com) for current parts information.